



EPA 2800 to 2803

Curved table

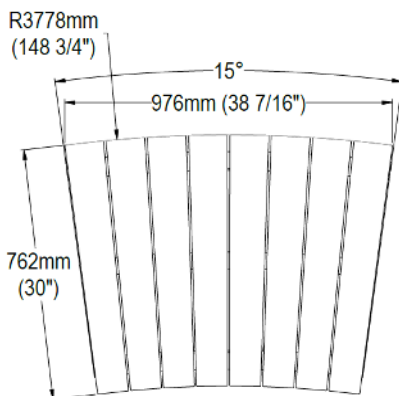
SPECIFICATIONS

Structure :	6mm (1/4") steel laser cuts
Finish:	Hot-dipped galvanized and polyester powder coat
Slats:	RPU/DFP 38mm X 138mm (1 1/2" X 5 7/16")
	WOA/JAT 25mm X 64mm (1" X 5 7/16")
Fasteners :	Stainless steel

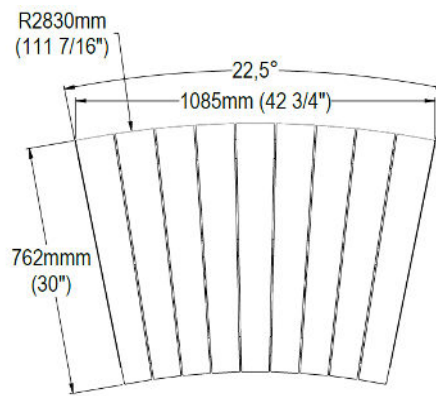
COVERINGS

YRPU Grey recycled plastic	DFP Douglas fir
SRPU Sand recycled plastic	JAT Jatoba
ORPU Olive recycled plastic	WOA White oak
CRPU Cedar recycled plastic	
WRPU Walnut recycled plastic	

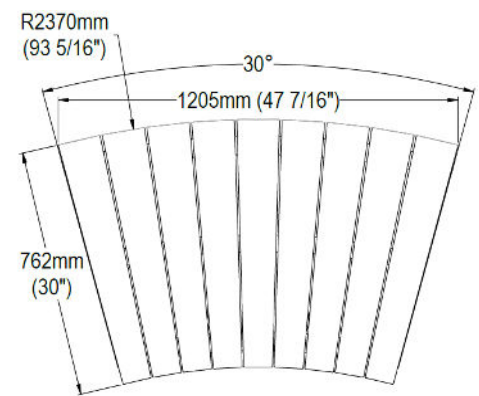
Average weight : 36,7 Kg (81 Lb)



EPA 2801



EPA 2802



EPA 2803

Confidential information contained herein is the property of Equiparc. Intended use is limited to professionals specifying Equiparc's products and their direct clients. All information is not to be copied or disclosed to others without the written consent of Equiparc. All rights reserved - Equiparc Manufacturier d'Equipement de Parcs Inc.