



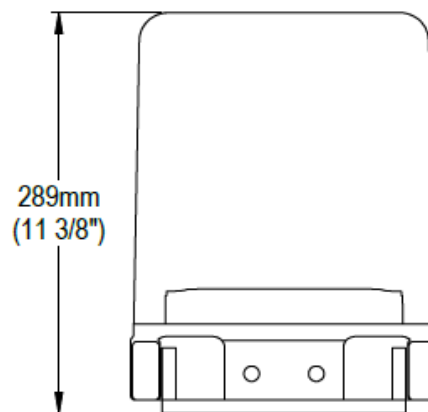
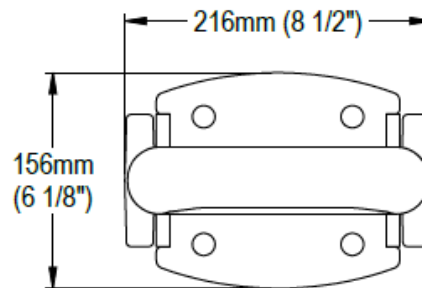
EPA 1851

Wall mount armrest

SPECIFICATIONS

Structure : Cast aluminum
 Finish: Polyester powder coat

Weight: 8,1 kg (17.84 Lb)



Confidential information contained herein is the property of Equiparc. Intended use is limited to professionals specifying Equiparc's products and their direct clients. All information is not to be copied or disclosed to others without the written consent of Equiparc. All rights reserved - Equiparc Manufacturier d'Equiptement de Parcs Inc.