



EPA 1821 to 1826

Convex backrest

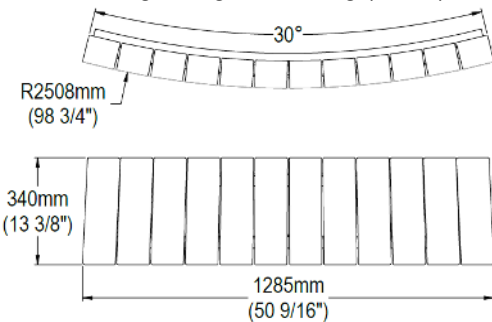
**SPECIFICATIONS**

Structure : 6mm (1/4") steel laser cuts  
 Finish: Hot-dipped galvanized and polyester powder coat  
 Slats: RPU/DFP 38mm X 138mm (1 1/2" X 5 7/16")  
 WOA/JAT 25mm X 64mm (1" X 5 7/16")  
 Fasteners : Stainless steel

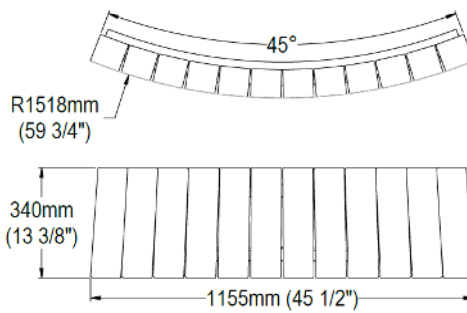
**COVERINGS**

YRPU Grey recycled plastic	DFP Douglas fir
SRPU Sand recycled plastic	JAT Jatoba
ORPU Olive recycled plastic	WOA White oak
CRPU Cedar recycled plastic	
WRPU Walnut recycled plastic	

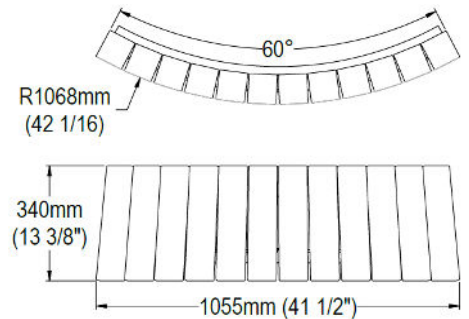
Average weight : 20,7 Kg (46 Lb)



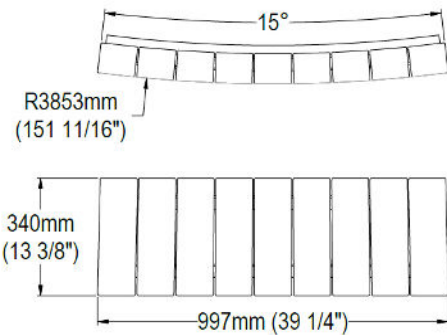
**EPA 1821**



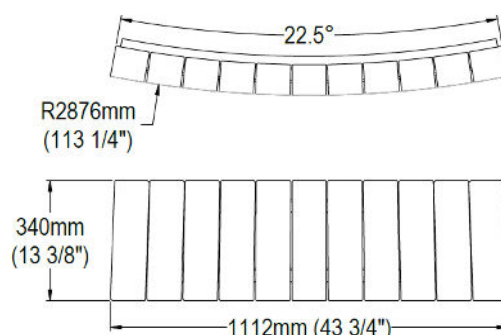
**EPA 1822**



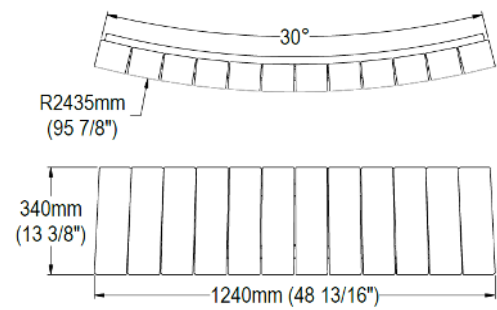
**EPA 1823**



**EPA 1824**



**EPA 1825**



**EPA 1826**

Confidential information contained herein is the property of Equiparc. Intended use is limited to professionals specifying Equiparc's products and their direct clients. All information is not to be copied or disclosed to others without the written consent of Equiparc. All rights reserved - Equiparc Manufacturier d'Equipement de Parcs Inc.