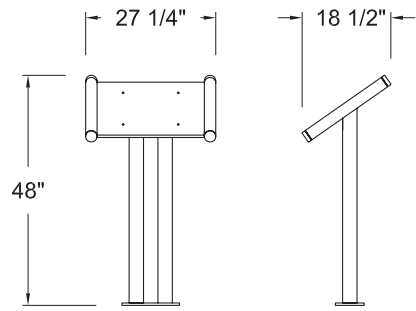


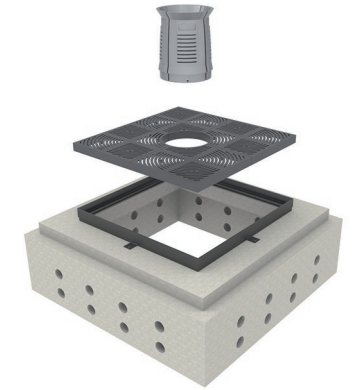


EP 6463
(75 lbs)

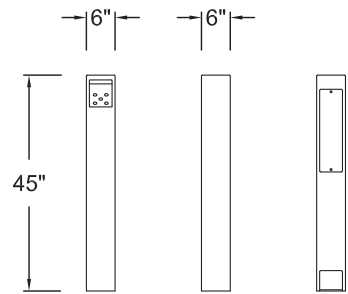


EP 6463 Lectern

Frame made of aluminum, painted.
Concrete base 24" dia. x 24" height (930 lbs).
Theftproof stainless steel fasteners.
Available space for texts and pictures: 22 3/8" x 19 1/4".
Artwork and display panel not included.



EP 9500
(70 lbs)



EP 9500 Standing Ashtray

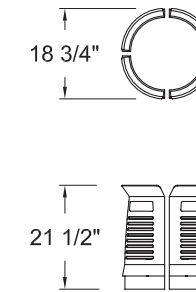
Frame made of hot dipped galvanized steel.
Removable receptacle, capacity of 1 US gal. / 0.8 Imp gal.
Theftproof stainless steel fasteners.

OPTION

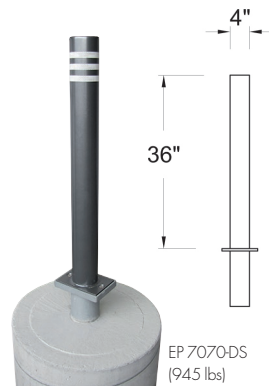
GP - Galvanized and painted frame

EP 6935 Aluminum tree guard

Frame made of four cast aluminum pannels, painted.
This aluminum tree guard may be mechanically fixed to our metal tree grate EP 6934 or other models.



EP 6935
(50 lbs)



EP 7070-DS
(945 lbs)



EP 7070 Bollard

Bollard made of aluminum tubing (4"), painted.
Sleeve made of hot dipped galvanized steel, embedded in concrete base.
Concrete base of 30 MPa with lifting handles 24" dia. x 24" height (930 lbs).
Theftproof stainless steel fasteners.
Underground fixation allows removal for storage.

OPTIONS

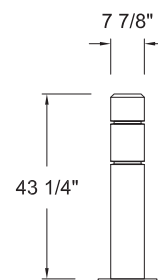
DS - High density reflective strips (3)

SP - Galvanized steel safety plate

AG - Surface mount



EP 7076
(180 lbs)



EP 7076 Bollard

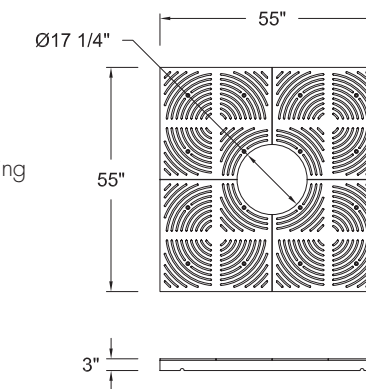
Bollard made of 35 MPa cast concrete.
Medium sandblast finish.

OPTION

DS - High density reflective strips (2)

EP 6934 Tree grate

Frame made of hot dipped galvanized steel including
Two main supports and four plates with laser cuts.
This tree grate can be combined to our EP 6935 tree guard.



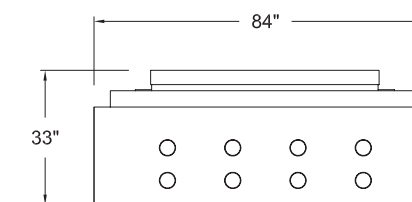
EP 6934
(416 lbs)

EP 7020 Concrete tree planter

Base and top slabs made of 30 MPa cast concrete reinforced with steel.

Finishing frame made of hot dipped galvanized steel.

The concrete base has 32 holes of 4" dia. each to allow better root development.



EP 7020
(5350 lbs)