

EP 5630-IPE-P

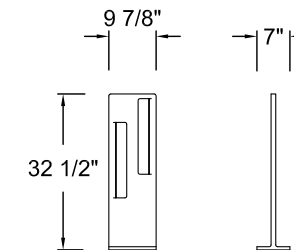
EP 5630

Bike rack, 2 bikes capacity

Frame made of steel with a zinc rich primer, painted.

PLAZA Collection page 14.

| COVERINGS | WEIGHT | CONCRETE SLAB | ANCHORS |
|-----------------------|--------|---------------|-------------------|
| Wood: IPE, JAT or HWA | 55 lbs | 7005 | QS (4) or QAV (4) |



EP 5900-P

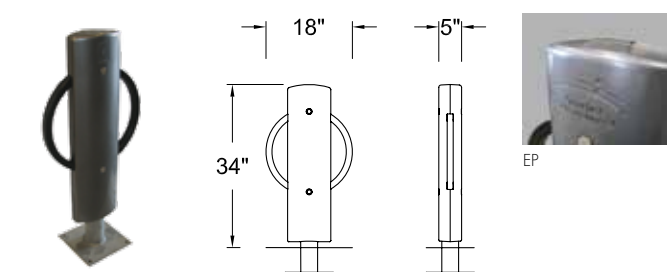
EP 5900

Bike rack, 2 bikes capacity

Frame made of aluminum, painted.

PROMENADE Collection page 18.

| WEIGHT | CONCRETE SLAB | ANCHORS |
|--------|---------------|-------------------|
| 35 lbs | 7005 | QS (4) or QAV (4) |



EP 5690-P

EP 5690

Bike rack, 2 bikes capacity

Frame made of hot dipped galvanized steel tubing covered with 2 cast aluminum panels, painted.

Ring made of steel tubing with a black paint.

Inground mount

Also available with a surface mount.

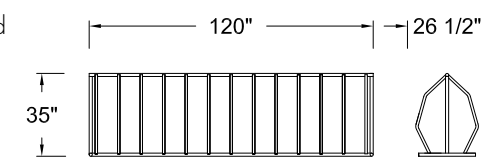
INTERNATIONALE Collection page 22.

| OPTION | WEIGHT | CONCRETE SLAB | ANCHORS |
|----------------------|--------|---------------|-------------------|
| LOGO - Add your logo | 75 lbs | 7005 | QS (4) or QAV (4) |

EP 5901

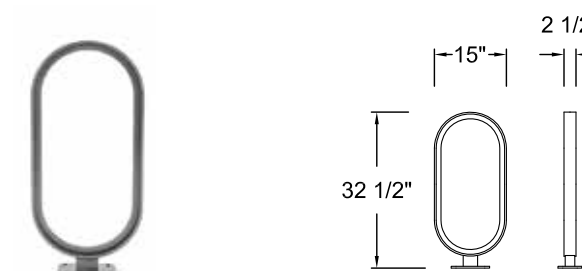
Bike rack, 12 bikes capacity

Frame made of hot dipped galvanized steel tubulars, all welded.



EP 5901-G

| OPTION | WEIGHT | CONCRETE SLABS | ANCHORS |
|-----------------------------------|---------|----------------|-------------------|
| GP - Galvanized and painted frame | 160 lbs | 7028 (2) | QS (4) or QAV (4) |



EP 5790-P

EP 5790

Bike rack, 2 bikes capacity

Frame made of aluminum, painted.

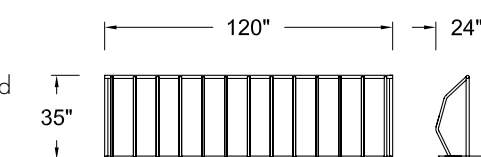
MTL Collection page 4.

| WEIGHT | CONCRETE SLAB | ANCHORS |
|--------|---------------|-------------------|
| 15 lbs | 7005 | QS (4) or QAV (4) |

EP 5903

Bike rack, 6 bikes capacity

Frame made of hot dipped galvanized steel tubulars, all welded.



EP 5903-GP

| OPTION | WEIGHT | CONCRETE SLABS | ANCHORS |
|-----------------------------------|---------|----------------|-------------------|
| GP - Galvanized and painted frame | 100 lbs | 7028 (2) | QS (4) or QAV (4) |

All products must be anchored, see concrete slabs and anchors on page 114. Details on covering options on page 119.

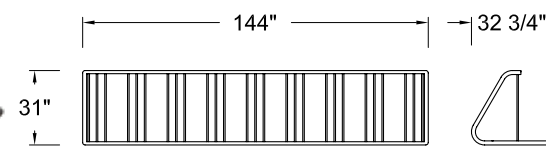
1 800 363-9264

Our products are painted with a high performance polyester powder coat, see details on page 118.

Detailed specifications available at equiparc.com



EP 5908-G

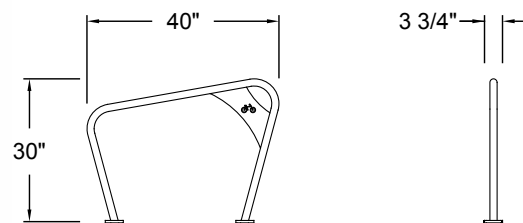


EP 5908
Bike rack, 18 bikes capacity
Frame made of hot dipped galvanized steel tubulars, all welded.

| OPTION | WEIGHT | CONCRETE SLABS | ANCHORS |
|-----------------------------------|---------|----------------|-------------------|
| GP - Galvanized and painted frame | 170 lbs | 7028 (2) | QS (4) or QAV (4) |



EP 5910

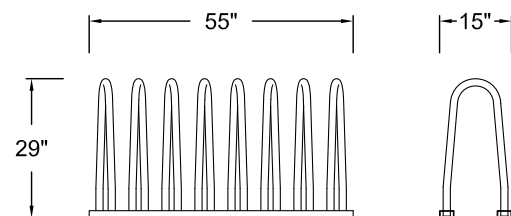


EP 5910
Bike rack, 2 bikes capacity
Frame made of brushed stainless steel.

| WEIGHT | CONCRETE SLABS | ANCHORS |
|--------|----------------|-------------------|
| 22 lbs | 7009 (1) | QS (4) or QAV (4) |



EP 5911-7-GP

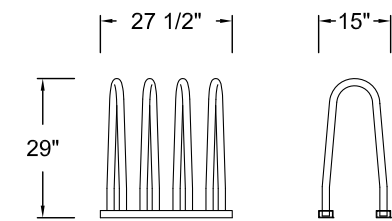


EP 5911
Bike rack, 7 bikes capacity
Frame made of hot dipped galvanized steel tubulars, all welded.

| OPTION | WEIGHT | CONCRETE SLABS | ANCHORS |
|-----------------------------------|--------|------------------|-------------------|
| GP - Galvanized and painted frame | 70 lbs | 7009 ou 7028 (2) | QS (4) or QAV (4) |

EP 5911-3
Bike rack, 3 bikes capacity

Frame made of hot dipped galvanized steel tubulars, all welded.



EP 5911-3-G

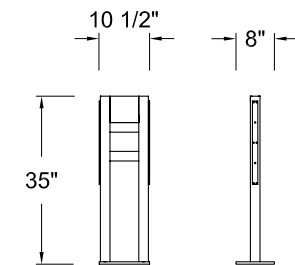
| OPTION | WEIGHT | CONCRETE SLABS | ANCHORS |
|-----------------------------------|--------|------------------|-------------------|
| GP - Galvanized and painted frame | 40 lbs | 7003 or 7028 (2) | QS (4) or QAV (4) |

EP 5920

Bike rack, 2 bikes capacity

Frame made of aluminum, painted. Lateral protections made with black rubber, molded by compression.

25 Collection page 20.



EP 5920-IPE-P

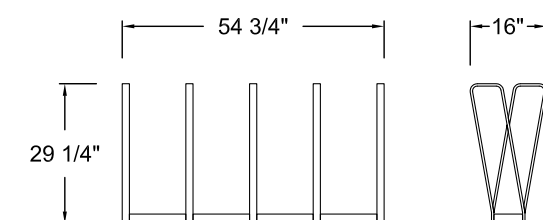
| COVERINGS | WEIGHT | CONCRETE SLAB | ANCHORS |
|--|--------|---------------|-------------------|
| Wood: DFP, IPE, JAT or HWA | 20 lbs | 7005 | QS (4) or QAV (4) |
| Recycled plastic: CRPU, ORPU, SRPU, WRPU or YRPU | | | |

EP 5930

Bike rack, 5 bikes capacity

Frame made of hot dipped galvanized steel, all welded.

DIMANCHE Collection page 12.

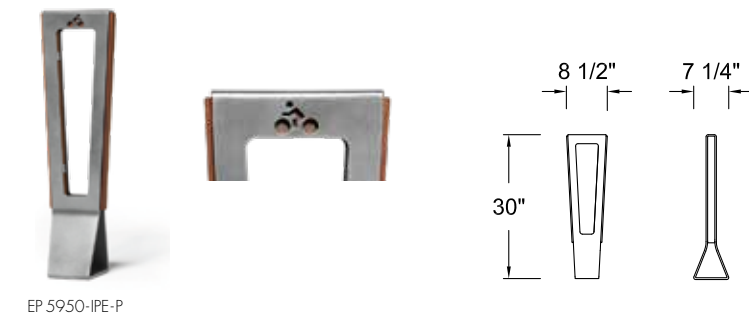


EP 5930-GP

| OPTION | WEIGHT | CONCRETE SLABS | ANCHORS |
|-----------------------------------|---------|------------------|-------------------|
| GP - Galvanized and painted frame | 110 lbs | 7009 or 7028 (2) | QS (4) or QAV (4) |

All products must be anchored, see concrete slabs and anchors on page 114. Details on covering options on page 119.
1 800 363-9264

Our products are painted with a high performance polyester powder coat, see details on page 118.
Detailed specifications available at equiparc.com



EP 5950-IPE-P

EP 5950
 Bike rack, 2 bikes capacity
 Frame made of hot dipped galvanized steel, painted.
 Bicycle pictogram included.
 DELTA Collection page 10.

| COVERINGS | WEIGHT | CONCRETE SLAB | ANCHORS |
|-----------------------|--------|---------------|-------------------|
| Wood: IPE, JAT or HWA | 30 lbs | 7005 | QS (4) or QAV (4) |



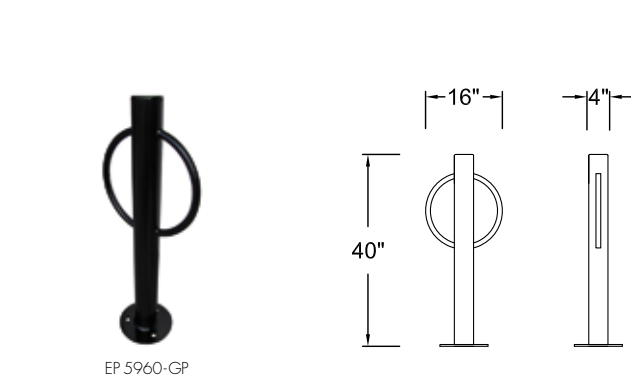
EP 5980
 Bike rack, 2 bikes capacity
 Frame made of aluminum, painted.
 Bicycle pictogram included.
 *Also available with LED technology.
 TANGO Collection page 10.



EP 5980
 (40 lbs)

EP 5980-P

| CONCRETE SLABS | ANCHORS |
|----------------|-------------------|
| 7005 or 7016 | QS (2) or QAV (2) |

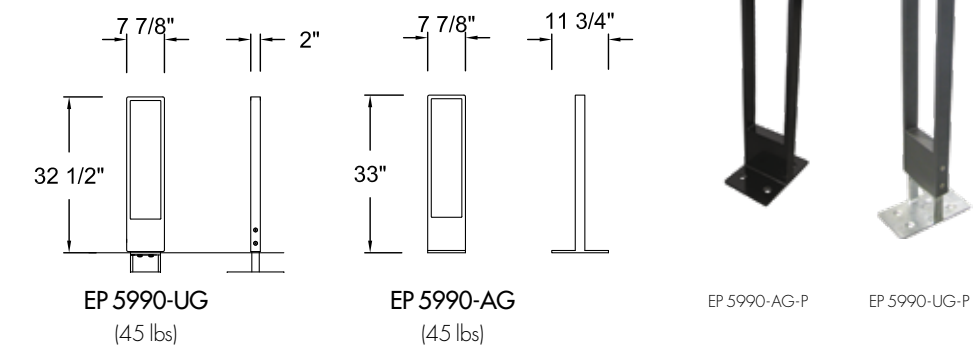


EP 5960-GP

EP 5960
 Bike rack, 2 bikes capacity
 Hot dipped galvanized tubular steel frame, all welded.

| OPTION | WEIGHT | CONCRETE SLABS | ANCHORS |
|-----------------------------------|--------|----------------|-------------------|
| GP - Galvanized and painted frame | 40 lbs | 7005 or 7016 | QS (3) or QAV (3) |

EP 5990
 Bike rack, 2 bikes capacity
 Frame made of aluminum, painted.
 The inground mount version allows to remove the frame for storage.
 Also available with a surface mount.
 ESPLANADE Collection page 16.



EP 5990-UG
 (45 lbs)

EP 5990-AG
 (45 lbs)

EP 5990-AG-P

EP 5990-UG-P

| OPTIONS | CONCRETE SLAB | ANCHORS |
|---------------------|---------------|-------------------|
| AG - Surface mount | 7005 | QS (4) or QAV (4) |
| UG - Inground mount | | |

*LED technology available at Lumca exclusively. 1 877 650-1693

All products must be anchored, see concrete slabs and anchors on page 114. Details on covering options on page 119.
 1 800 363-9264

Our products are painted with a high performance polyester powder coat, see details on page 118.
 Detailed specifications available at equiparc.com