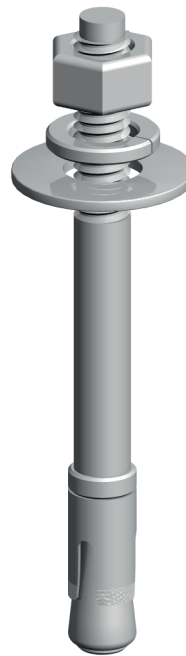


ANCHORS - SURFACE MOUNT Kwik Bolts (QS)

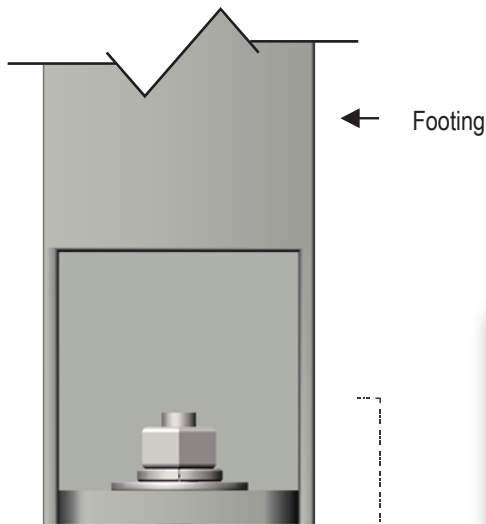


← Standard Hex Nut (stainless)

← Lock Washer (stainless)

← Washer (stainless)

← Wedge Anchor (stainless)



1. DRILL

2. CLEAN

3. INSERT

4. BOLT

